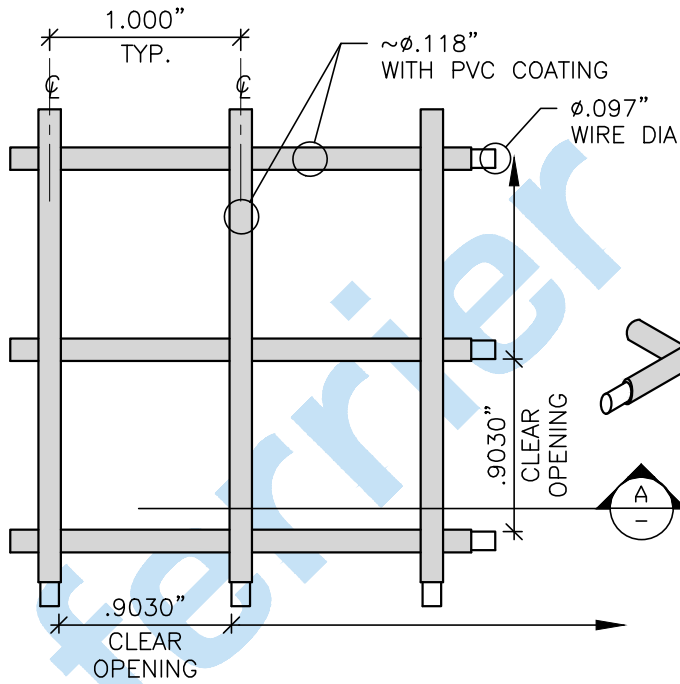
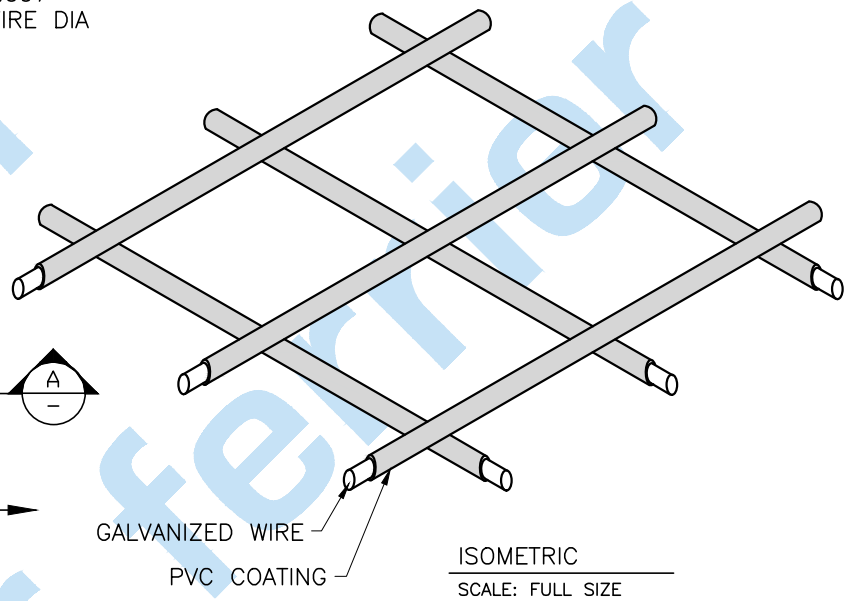


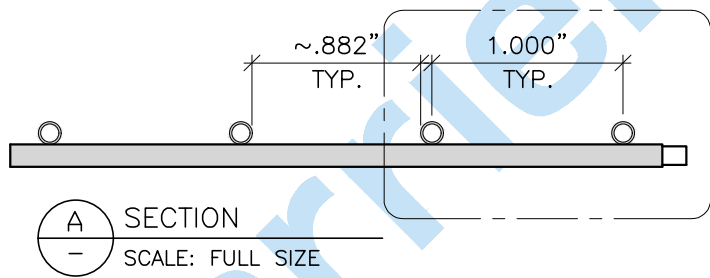
\*\*PATTERN IS ACTUAL SIZE\*\*



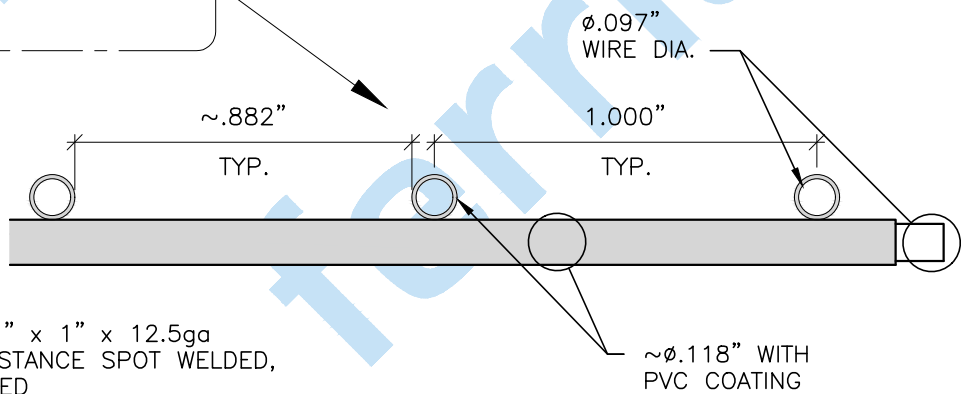
PLAN  
SCALE: FULL SIZE



ISOMETRIC  
SCALE: FULL SIZE



A SECTION  
SCALE: FULL SIZE



DESCRIPTION: BLACK PVC WELDMESH 1" x 1" x 12.5ga  
 CONSTRUCTION: GALVANIZED WIRE RESISTANCE SPOT WELDED,  
 BLACK SINTER COATED IN FLUIDIZED BED  
 SPACING: 1" x 1" CENTRES (25.4mm x 25.4mm CENTRES)  
 WIRE GAUGE (CORE): 12.5ga (.097"/2.46mm DIA)  
 WIRE THICKNESS AFTER PVC COATING: ~11ga (~.118"/3.00mm DIA)  
 WEIGHT: 73lbs/csf  
 GALVANIZATION ACCORDING TO UNI-EN 10244-2, ZINC USED TYPE S.H.G. PURE 99.995%  
 PLASTIFICATION: SINTER COATING METHOD IN FLUIDIZED BED ACCORDING TO UNI-EN 10218-2  
 COLOUR: RAL 9005  
 APPLICATIONS: CAGES, MACHINE GUARDING, PLAYGROUND EQUIPMENT, RAILING INFILL PANELS

|   |                       |                   |
|---|-----------------------|-------------------|
| PRODUCT: BLACK PVC MESH<br>1" x 1" x 12.5ga |                       |                   |
| Project No.<br>FW-15                        | Date:<br>JULY 13 2017 | Drawn By:<br>RR   |
| Drawing No.<br>S2                           | Rev:                  | Checked By:<br>MW |

**ferrier**  
 WIRE GOODS COMPANY LTD. • SINCE 1812

170 Mulock Avenue  
 Toronto, ON M6N 3C8

Tel: 416-769-5280  
 Fax: 416-769-2232  
 Toll Free: 888-769-5280  
 info@ferrierwire.com  
 www.ferrierwire.com