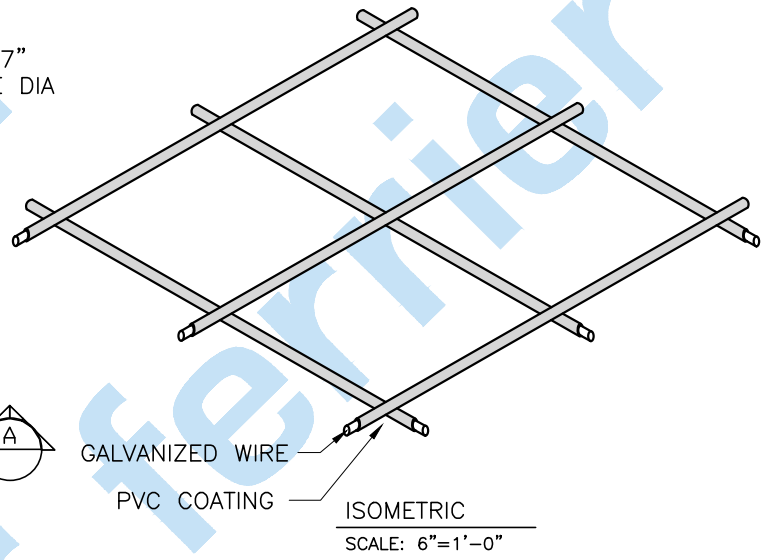
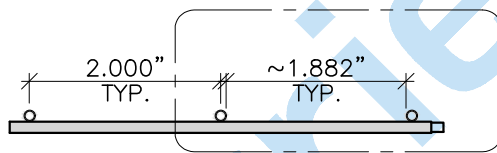


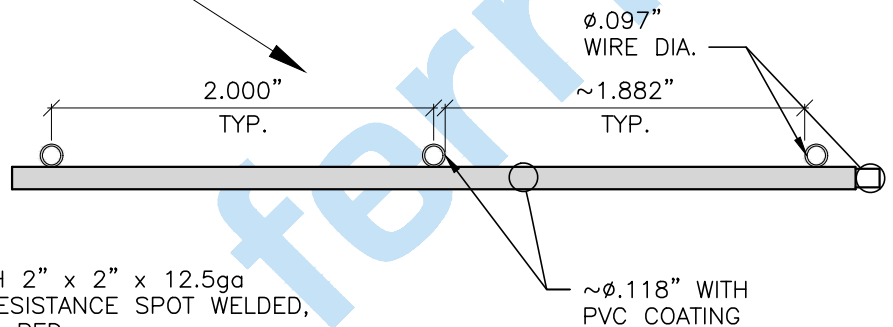
PLAN  
SCALE: 6"=1'-0"



GALVANIZED WIRE  
PVC COATING  
ISOMETRIC  
SCALE: 6"=1'-0"



A  
SECTION  
SCALE: 6"=1'-0"



DESCRIPTION: BLACK PVC WELDMESH 2" x 2" x 12.5ga  
 CONSTRUCTION: GALVANIZED WIRE RESISTANCE SPOT WELDED,  
 BLACK SINTER COATED IN FLUIDIZED BED  
 SPACING: 2" x 2" CENTRES (50.8mm x 50.8mm CENTRES)  
 WIRE GAUGE (CORE): 12.5ga (.097"/2.46MM DIA)  
 WIRE THICKNESS AFTER PVC COATING: ~11ga (~.118"/3.00MM DIA)  
 WEIGHT: 38lbs/csf  
 GALVANIZATION ACCORDING TO UNI-EN 10244-2, ZINC USED TYPE S.H.G. PURE 99.995%  
 PLASTIFICATION: SINTER COATING METHOD IN FLUIDIZED BED ACCORDING TO UNI-EN 10218-2  
 COLOUR: RAL 9005  
 APPLICATIONS: CAGES, MACHINE GUARDING, PLAYGROUND EQUIPMENT, RAILING INFILL PANELS

PRODUCT: BLACK PVC MESH 2" x 2" x 12.5ga		
Project No. FW-15	Date: JULY 13, 2017	Drawn By: RR
Drawing No. S1	Rev:	Checked By: MW

**ferrier**

WIRE GOODS COMPANY LTD. • SINCE 1912

170 Mulock Avenue  
Toronto, ON M6N 3C8

Tel: 416-769-5280  
 Fax: 416-769-2232  
 Toll Free: 888-769-5280  
 info@ferrierwire.com  
 www.ferrierwire.com