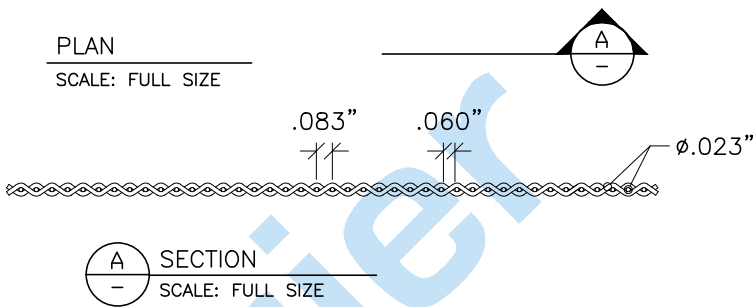


PLAN
SCALE: FULL SIZE



A SECTION
SCALE: FULL SIZE

FERRIER WEAVEMESH

DESCRIPTION: 12 x 12 MESH x .023" DIA. WIRE
 CONSTRUCTION: PLAIN WEAVE
 MATERIALS: BRASS, COPPER, 304 & 316 STAINLESS STEEL, CUSTOM
 MESH COUNT: 12 x 12 MESH (12 HOLES PER LINEAR INCH ACROSS
 THE WIDTH OF THE MATERIAL X 12 HOLES PER LINEAR
 INCH ALONG THE LENGTH OF THE MATERIAL)

WIRE DIA.: .023" (0.58 mm)
 CLEAR OPENING: .060" (1.52 mm)
 % OPEN AREA: 51.80
 WEIGHT: ~43 lbs/csf (FOR STAINLESS STEEL)
 TOLERANCES DEPEND ON MATERIAL AND SOURCE
 MILL TEST REPORT AVAILABLE ON REQUEST

PRODUCT: FERRIER WEAVEMESH
 12 x 12 MESH x .023" DIA. WIRE

Project No. FW-03	Date: JUNE 8, 2018	Drawn By: RR
Drawing No. S10	Rev:	Checked By: MW

ferrier
 WIRE GOODS COMPANY LTD. • SINCE 1912

170 Mulock Avenue
 Toronto, ON M6N 3C8

Tel: 416-769-5280
 Fax: 416-769-2232
 Toll Free: 888-769-5280
info@ferrierwire.com
www.ferrierwire.com