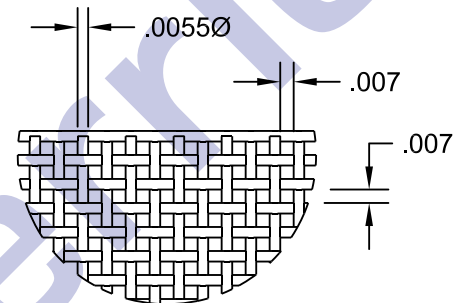


SCALE 4:1



DETAIL A
SCALE 10:1

Part number/pattern: 80800055
 Technical description: 80 x 80 mesh x .0055" dia wire
 Material: Copper, brass, 304 & 316 stainless steel, custom
 Mesh Count: 80 x 80 mesh (80 holes per linear inch across width of material x 80 holes per linear inch along length of material)
 Wire dia.: .0055" (.140 mm)
 Clear opening: .007" (.178 mm)
 %Open area: 31.4
 Weight: 17.1 lbs/csf (0.835 kgs/m²)

Part No. 80800055		
Material		
DRAWN	DB	DATE 14/7/19
APPROVED	MW	DATE 14/7/19
Tolerances depend on material and source. Mill test report available on request.		



170 Mulock Avenue
 Toronto, Ontario
 M6N 3C8
 Toll-free 888.769.5280
 Toronto 416.769.5280
 Fax: 416.769.2232
 info@ferriewire.com
 www.ferriewire.com

SIZE	DWG NO	REV
A	Mesh 80800055	A
SHEET		1 of 1