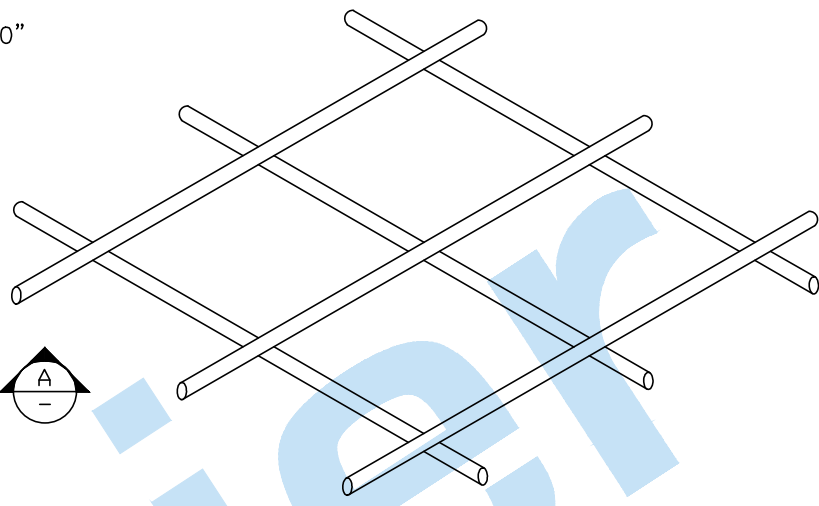
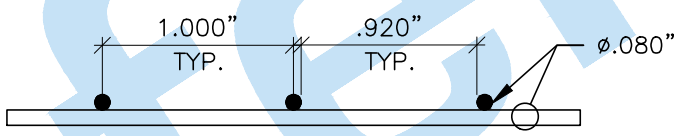


PLAN
SCALE: FULL SIZE



ISOMETRIC
SCALE: FULL SIZE



A SECTION
SCALE: FULL SIZE

WELDMESH

DESCRIPTION: 1x1 MESH x .080" DIA. WIRE
 CONSTRUCTION: RESISTANCE SPOT WELDED
 MATERIAL: 304 STAINLESS STEEL, GALVANIZED, CUSTOM
 MESH COUNT: 1x1 MESH (1"x1" CENTRES/25.4mmx25.4mm CENTRES)
 WIRE DIA.: .080" (2.03mm)
 CLEAR OPENING: .92" (23.4mm)
 % OPEN AREA: 84.6
 WEIGHT: 41.5lbs/csf
 TOLERANCES DEPEND ON MATERIAL AND SOURCE
 MILL TEST REPORT AVAILABLE ON REQUEST

PRODUCT: 1x1 MESH x .080" DIA. WIRE WELDMESH		
Project No. FW-06	Date: JUNE 23, 2016	Drawn By: RR
Drawing No. S6	Rev:	Checked By: MW

ferrier
 WIRE GOODS COMPANY LTD. • SINCE 1912
 170 Mulock Avenue
 Toronto, ON M6N 3C8

Tel: 416-769-5280
 Fax: 416-769-2232
 Toll Free: 888-769-5280
 info@ferrierwire.com
 www.ferrierwire.com