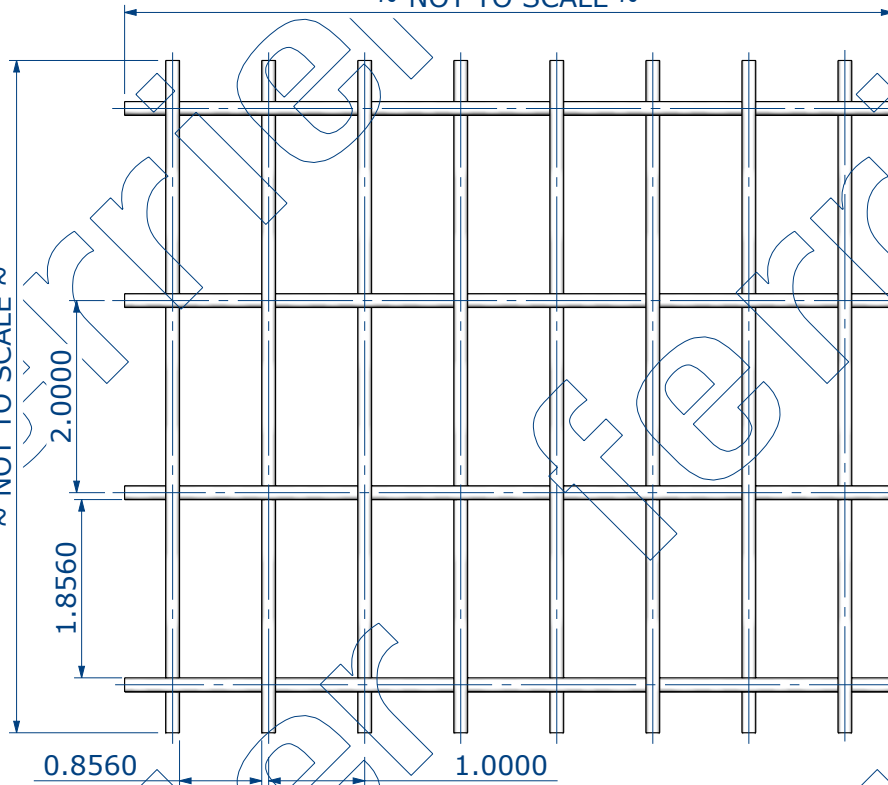


Lmax: 192" (4876 mm) SHEET OR 75' (23 m) ROLL

~ NOT TO SCALE ~

Wmax: 52" (1320 mm)
~ NOT TO SCALE ~



0.8560 1.0000



1.8560 2.0000



Ø .1440

Notes:

NOT TO SCALE

Part number: WEA21144

Technical description: 2" x 1" x .144" dia wire weavemesh

Construction: plain weave with intermediate crimp

Materials: galvanized, mild steel, stainless steel, custom

Spacing: 2" x 1" (50.80 mm x 25.40 mm) centre to centre

Wire dia.: .144" (3.66 mm)

Clear opening: 1.856" x 0.856" (47.14 mm x 21.74 mm)

% open area: 79.4

Weight: ~100 lbs/csf (45 kgs/csf) for stainless steel

Maximum dimensions:

Wmax 52" (1320 mm) x 192" (4876 mm) sheet or 75' (23 m) roll

Tolerances depend on material and source. Mill test report available on request

Part No.

WEA21144

Material
galvanized, mild steel, stainless steel, custom

Drawn	BR	Date	26-Oct-2022
-------	----	------	-------------

Approved	MW	Date	26-Oct-2022
----------	----	------	-------------

Tolerances depend on material and source.

Mill test report available on request.



170 Mulock Avenue, Toronto, Ontario, M6N 3C8
Toll-free 888.769.5280 Toronto 416.769.5280
www.ferrierwire.com info@ferrierwire.com

DWG No.	WEA21144	Rev	
Sheet Scale: NTS	Sheet	1 OF 1	